

Specifications/Ordering Information

PRV-38 Oil Safety Valve

Fuels – Suitable for kerosene, No. 1 or No. 2 Fuel Oil

Pressure – Rated up to 40 PSI inlet pressure

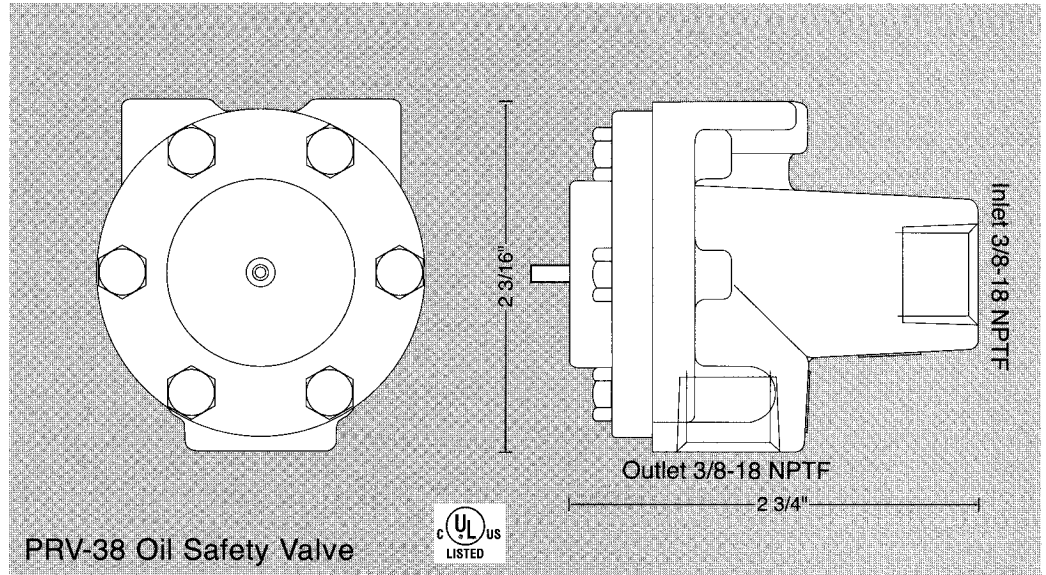
Start-Up – Can be manually bled or primed during start-up

Temperature Range – 0-160° F

Maximum Flow – 55 GPH

Right Angle Design – Eliminates the need for additional fittings

Pop-Up Indicator – Indicates lost vacuum



PRV-38PF Uni-Saf™ Filter/Oil Safety Valve

Fuels – Suitable for kerosene, No. 1 or No. 2 Fuel Oil

Pressure – Rated up to 15 PSI inlet pressure

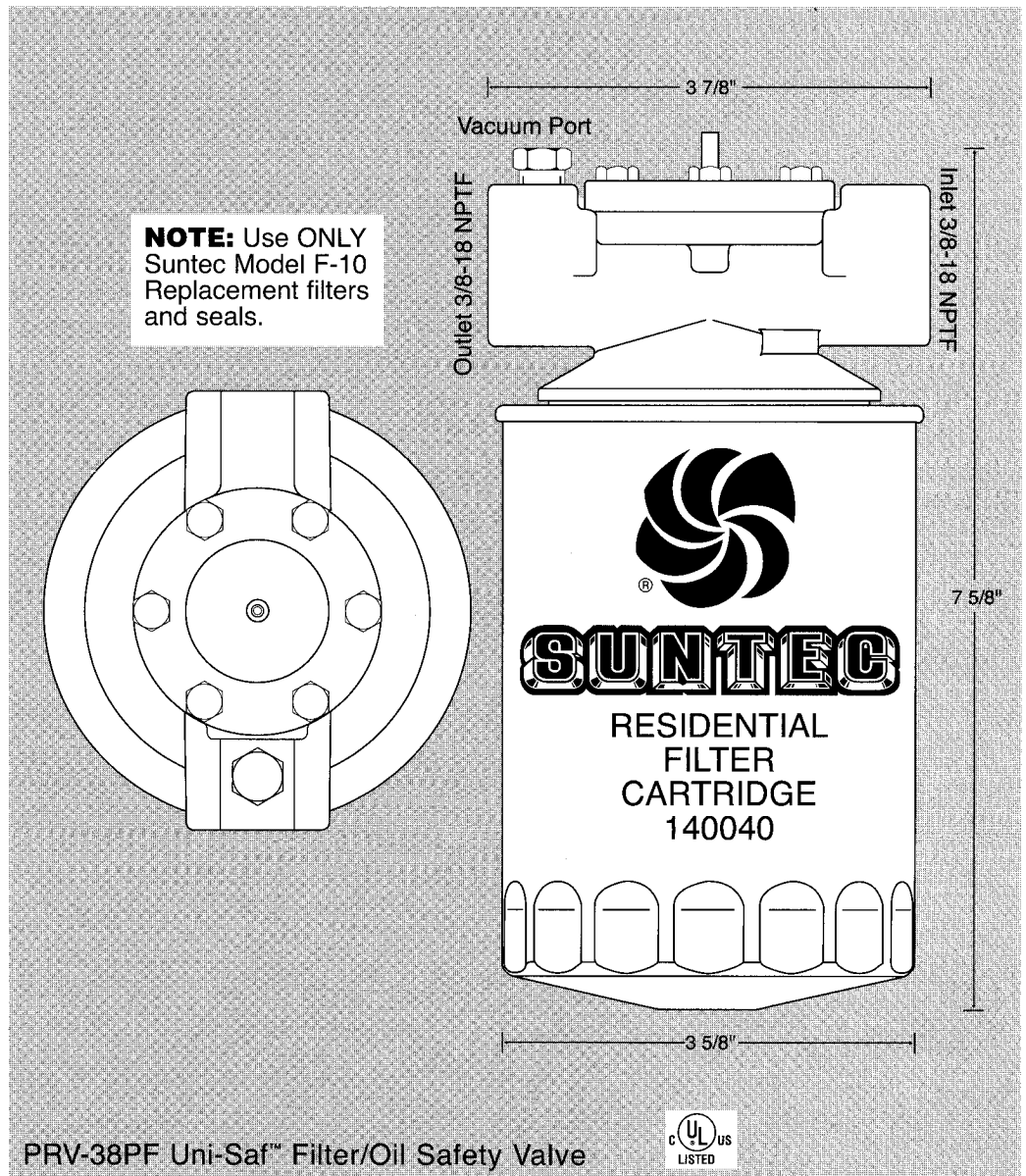
Start-Up – Can be manually bled or primed during start-up

Temperature Range – 0-160° F

Maximum Flow – 45 GPH

Spin on Filter – F-10, 10 Micron, UL Listed, P/N 140040

Pop-Up Indicator – Indicates lost vacuum

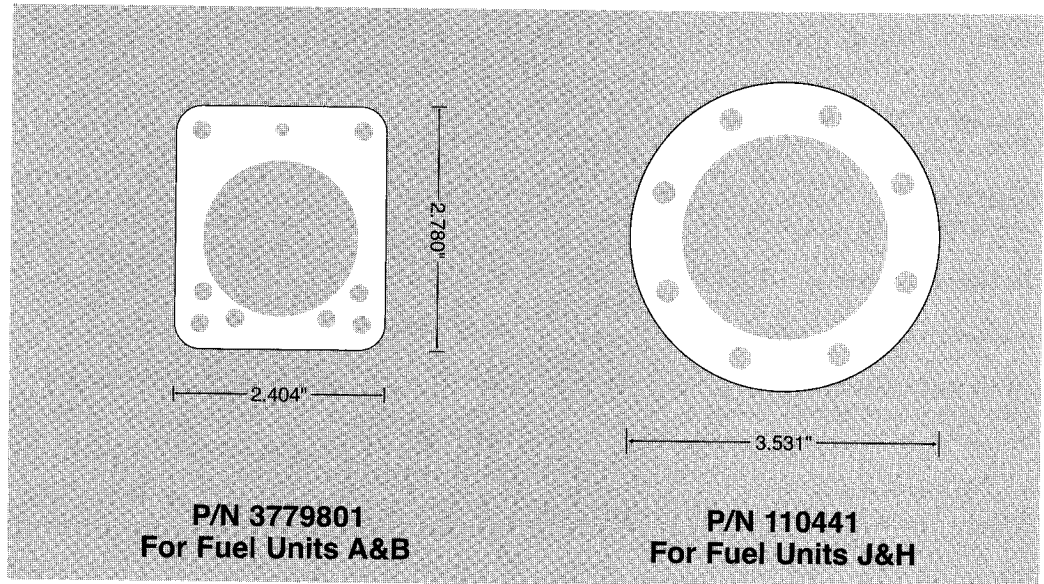


PO BOX 5000
GLASGOW, KY 42142
270-651-7116
www.suntecpumps.com

Specifications/Ordering Information

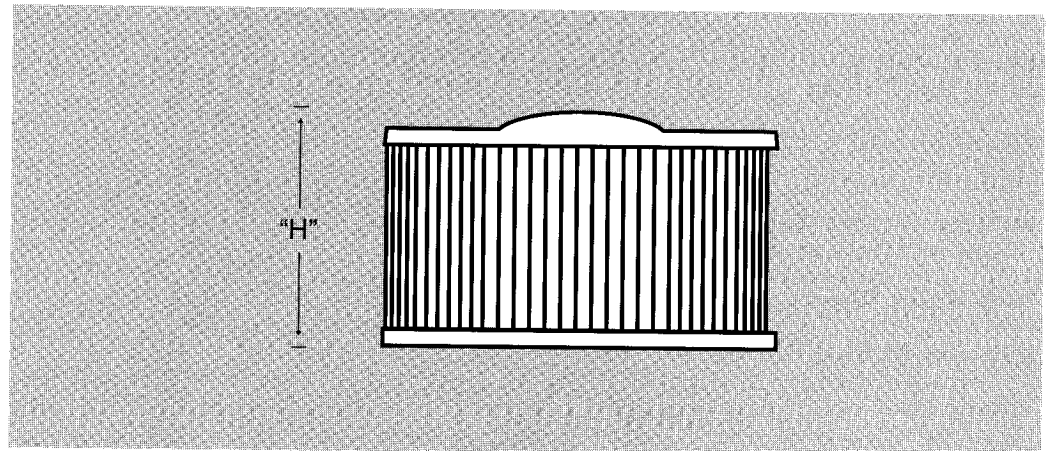
Cover Gaskets –

Factory Original Equipment
 Easy to Remove
 Easy to Replace
 Two P/Ns fit ALL Suntec
 Fuel Units



Strainers –

Factory Original Equipment
 Always the right strainer for
 the right fuel unit
 Individually boxed
 Gasket and disposal bag
 included



P/N	UL Listed Flow Rating	Strainer Designation	Pump Model	Strainer Height (H)	Screen Mesh
3715732-HK	4 GPH	V, E	A	1-1/8"	90 x100
3715744-HK	7 GPH	Y	A/B	1-5/8"	90 x100
3715742-HK	23 GPH	T	A/B	1-5/8"	90 x100
3715746-HK	34 GPH	G	A/B	2-1/16"	90 x100
3715747-HK	Used Oil	R	A	1-1/8"	30 x30
3715721-HK	7 GPH	B	J/H	2-1/16"	90 x100
3715722-HK	Unlimited	P	J/H	2-1/16"	90 x100
3715723-HK	Used Oil	N	J/H	2-1/16"	30 x30



PO BOX 5000
 GLASGOW, KY 42142
 270-651-7116
www.suntecpumps.com